

**INSTALLATION INSTRUCTIONS**

**For MOTORIZED COMBO CARRIER**

**THIS UNIT SHOULD BE INSTALLED BY A QUALIFIED TECHNICIAN**

**For any questions regarding installation,  
please call S-T Imaging, Inc. at 847 / 501-3344**



S-T IMAGING, INC.

**1888 South Elmhurst Road  
Mount Prospect, IL 60056**

**Phone: (847) 501-3344 • Fax: (847) 501-3377**

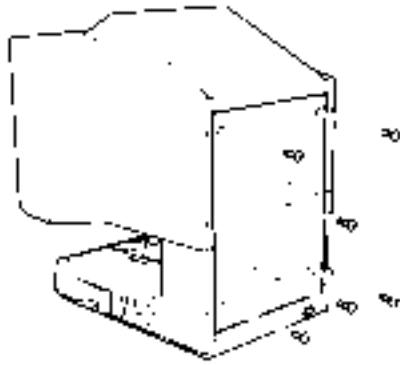
**web site: [www.stimaging.com](http://www.stimaging.com)**

**e-mail: [info@stimaging.com](mailto:info@stimaging.com)**

*a subsidiary of Digital Check Corp.*

# INSTALLATION INSTRUCTIONS

## Step 1



Remove the rear cover (8 screws).

## Step 2

2. Remove the rear cover CPU DCON PCB assembly, then remove the rear lower plate (4 screws).



**Note:** When handling the rear lower plate, prevent the edges of the cover from causing injury

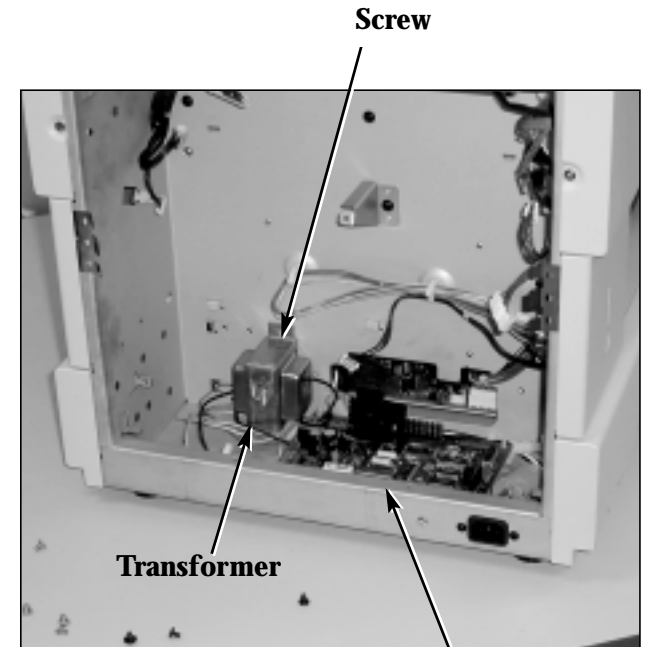


## Steps 3 - 5

3. Position the transformer as shown in photo and secure with one screw.

4. Place the control board on the bottom shelf using the six adhesive backed stand-offs as shown.

5. Connect the 3-pin connector of the transformer to the connector of the proper line voltage to be used on the main body (AC line).



Transformer

Control Board

6. Attach the 15-pin DINconnector/cable assembly to the control board.

7. Replace rear lower plate, routing the 15-pin connector/cable assembly through one of the openings.

8. Reinstall the CPU DCON assembly and the rear cover.

## Steps 6 - 8

