

MINOLTA

UC 6

Installation Instructions*

For

Minolta MS3000

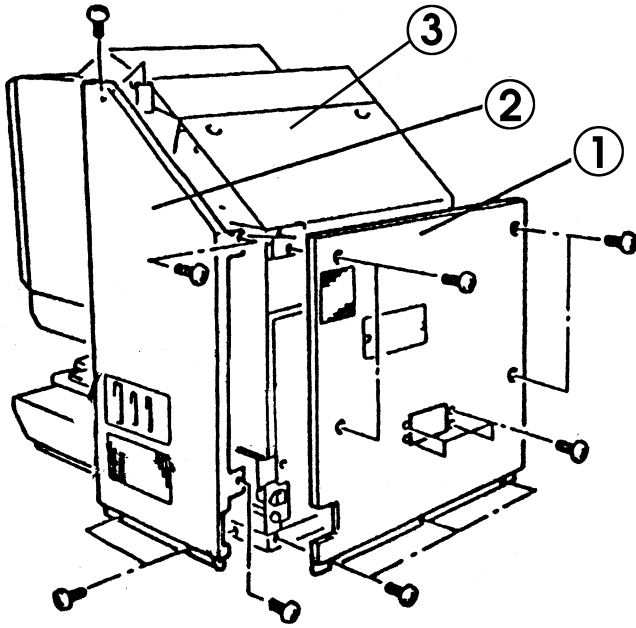
* This unit should be installed by a Qualified Technician

Start with a fully functional host machine before installation.

Restore host machine functions if necessary.

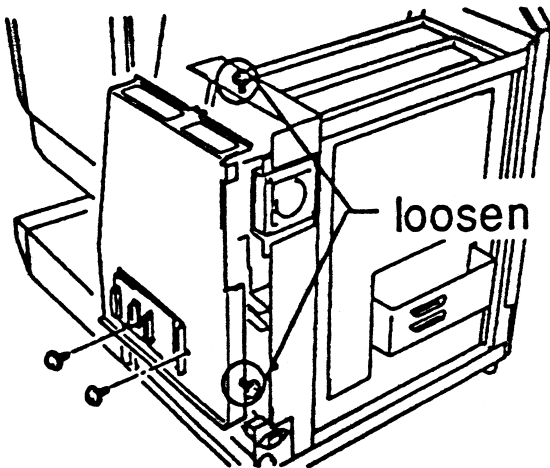
**Unplug host machine from wall outlet before
attempting this installation.**

MS3000



1. Remove covers as shown:
 - Rear Cover (1)
 - Upper Rear Cover (3)
 - Right Cover (2)

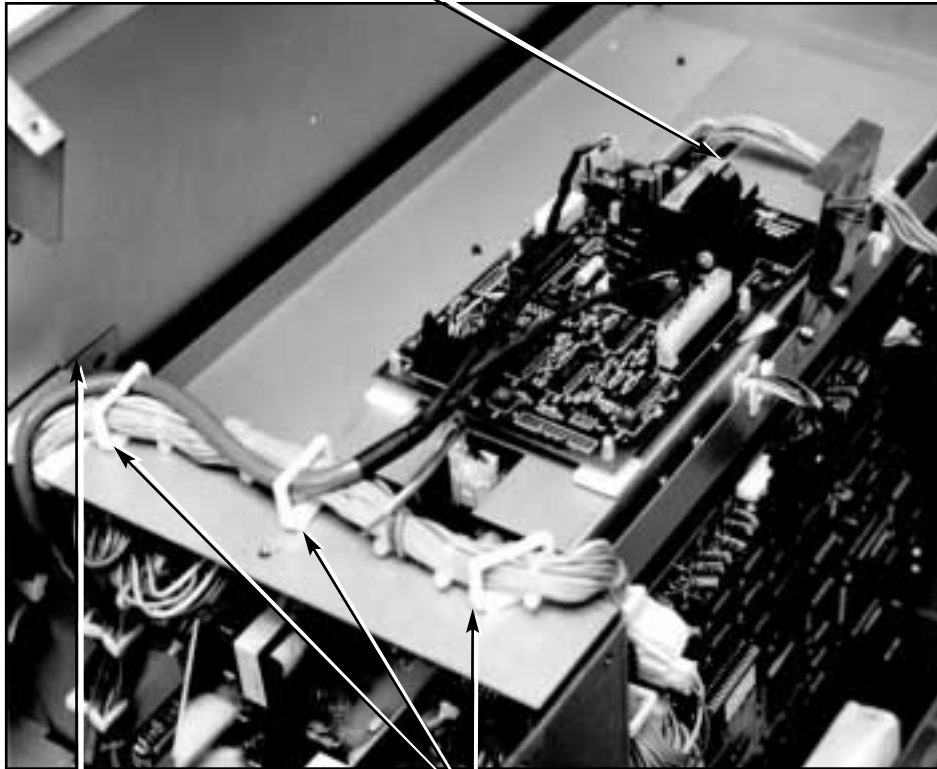
Power Unit Cover



2. Remove the Power Unit Cover.
(Loosen the two screws and remove the two screws.)

Motor Control Board

3. Mounting the Motor Control Board



Interconnect Cable Assembly

Wiring Clips

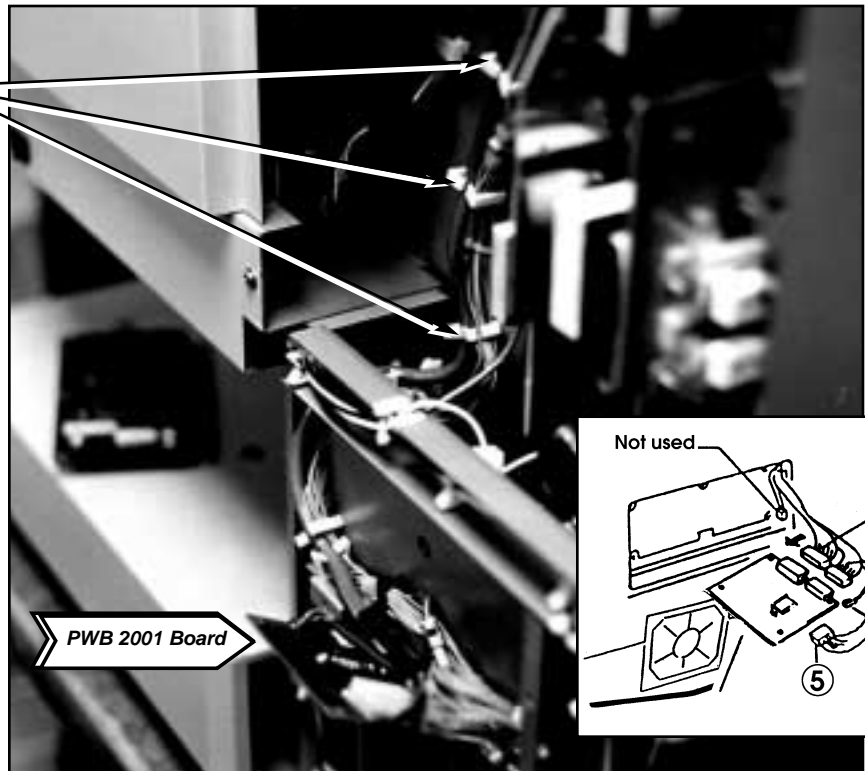
- A. Using adhesive backed standoffs, position and install the Motor Control Board as shown in photo at left.
- B. Connect the interconnect cable to the Motor Control Board and *route the cable assembly as shown in photo*, using existing cable wiring clips.

4. Continue Routing Cable

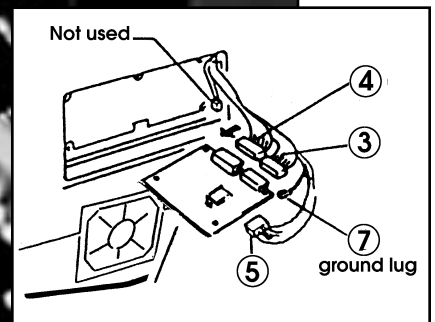
Use existing wiring clips (see photo & diagram)

After routing cable connect the Reader Printer 5P Connector (4) to the PWB 2001 Board. Connect the small 6P-Connector (5) and the Large 6P-Connector (3) from the Interconnect Cable Assembly to the PWB2001 Board.

NOTE: Install ground lug (7) from the Interconnect Cable Assembly between the board and the metal mounting plate in the upper right hole.



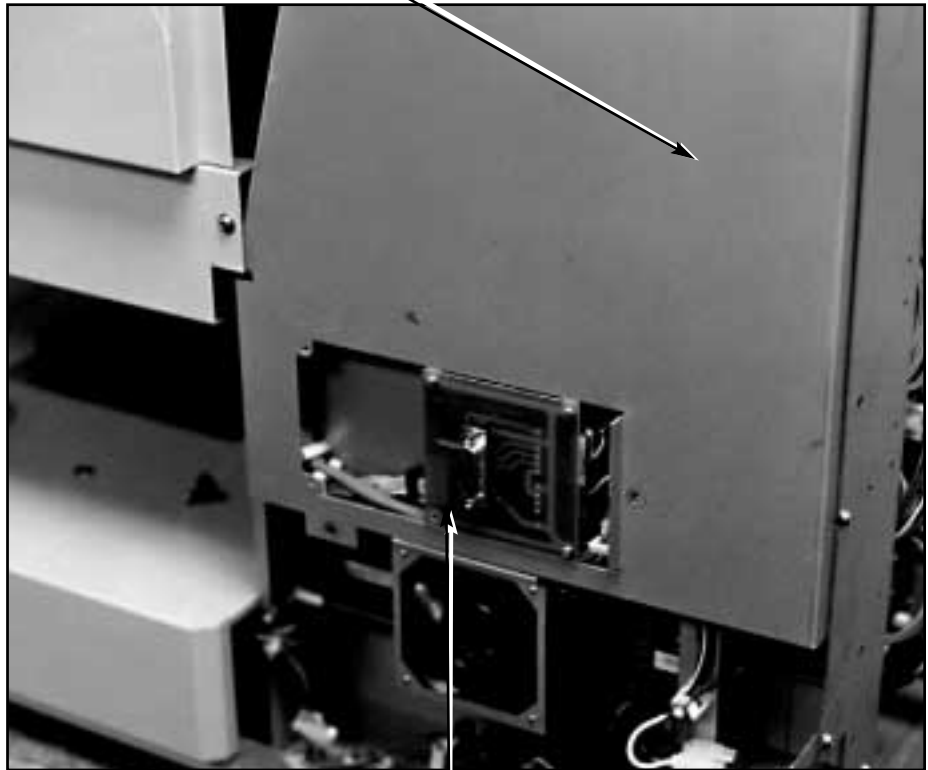
PWB 2001 Board



Power Unit Cover

5. Reinstall Power Unit Cover

- A. Reinstall Power Unit Cover and secure the PWB 2001 Board with (3) screws provided. *See photo at left.*
- B. Mount the Universal Carrier on the Reader Printer and connect the 15 Pin "D" connector to the PWB 2001 Board. Apply power to Reader Printer and check the carrier installation for proper function.



PWB 2001 Board

6. If Okay...

Install all covers on machine.

On right side cover, punch out the 3rd position on the interface cover as shown in photo.

